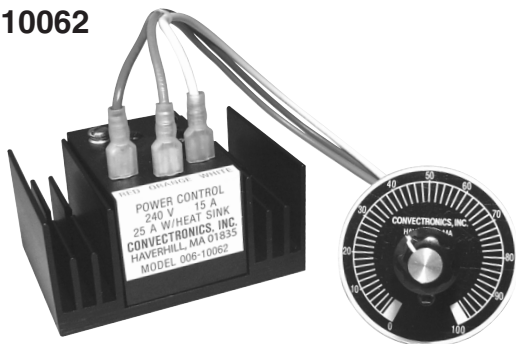
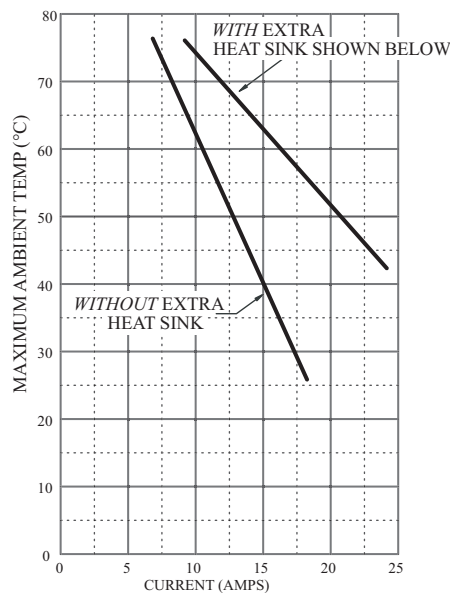
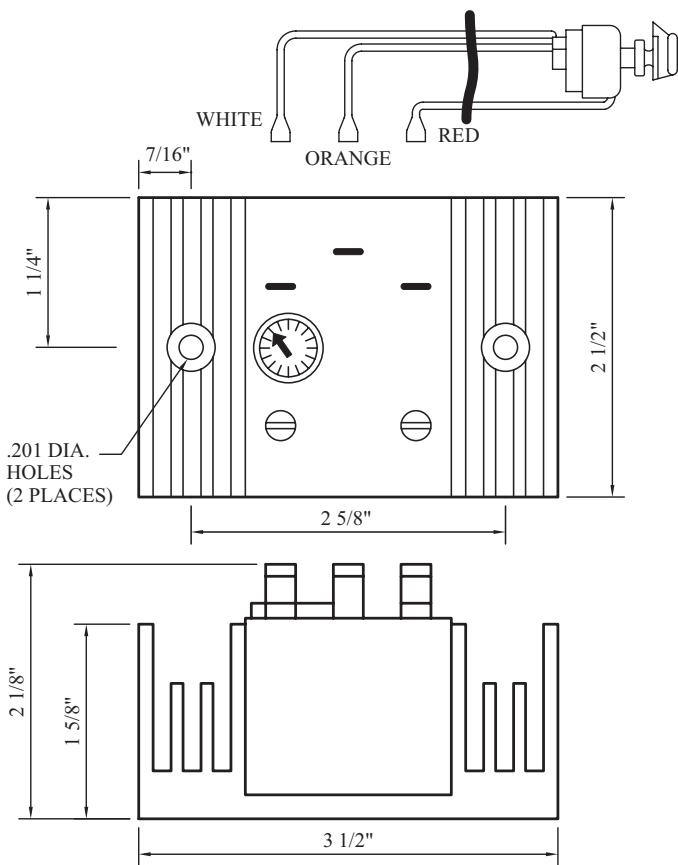


Flameless Electric Air Heaters: Power Control Module

Part # 006-10062



The Power Control Module offers infinitely variable phase control when used with resistive loads up to 25 amps. The solid state circuitry provides modified transient suppression, exceptional stability and life. An external potentiometer/switch (dial plate and knob included) is used to control output voltage. A trimming potentiometer is mounted on top of the module to adjust turn on voltage level. This device should be installed in a circuit fused at 120% rated load or 30 amps maximum.



Part Number # 006-10139

Heat Sink

Recommended for load currents exceeding 15 amps (see ambient temperature vs. current curves shown above)

